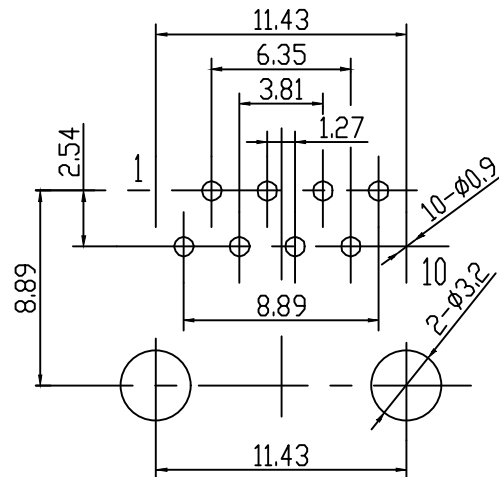
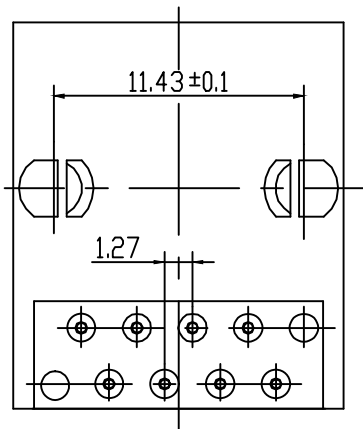


REV	DESCRIPTION	DATE



PCB LAYOUT

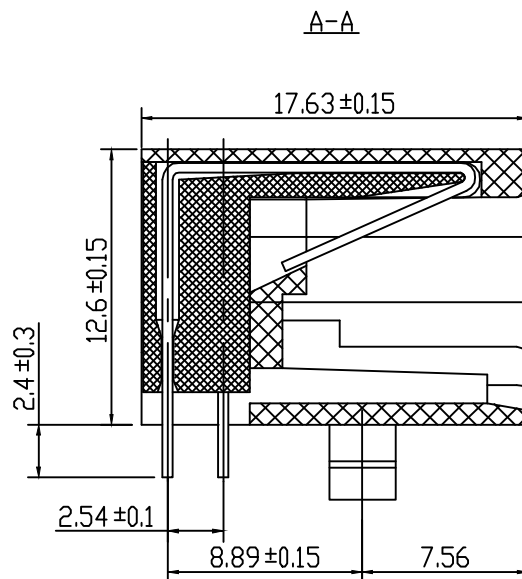
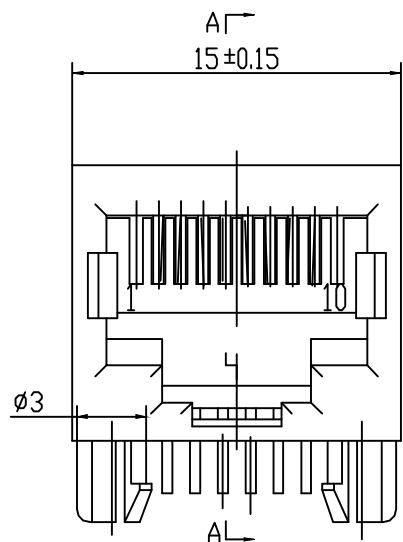
NOTE:

1. ELECTRICAL:

- 1.1 VOLTAGE RATING: 125 VAC RMS;
- 1.2 CURRENT RATING: 1.5 AMP;
- 1.3 CONTACT RESISTANCE: 20 MILLIOHMS Max;
- 1.4 INSULATION RESISTANCE: 1000 MEGOHMS Min @500 VDC;
- 1.5 DIELECTRIC STRENGTH: 1000 VAC RMS 50 or 60Hz 1 Minute;

2. MECHANICAL:

- 2.1 HOUSING: PBT, UL94V-0, BLACK;
- 2.2 INSERT: PBT, UL94V-0, BLACK;
- 2.3 TERMINALS: DIA 0.46 PHOSPHOR BRONZE PLATED 3u" Au;
- 2.4 DURABILITY: 750 CYCLES Min.



<p>CNT 肯耐特电子有限公司</p>			GENERAL TOLERANCE		DRAWN 董道丽	DATE 20191112	DWG. NO.	TITLE
			X.° ±5°	X. ±0.30	CHECK 王芳芳	DATE 20191112	PART. NO.	
REV. 1.0	UNIT mm	SCALE 1:1	.X° ±3°	.X ±0.38	APPROVE 王元中	DATE 20191112	CNT-5621-10P8C	5621 10P8C
			.XX° ±2°	.XX ±0.25				
			.XXX° ±1°	.XXX ±0.15				