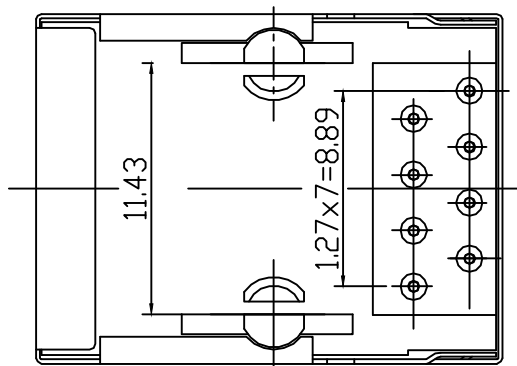
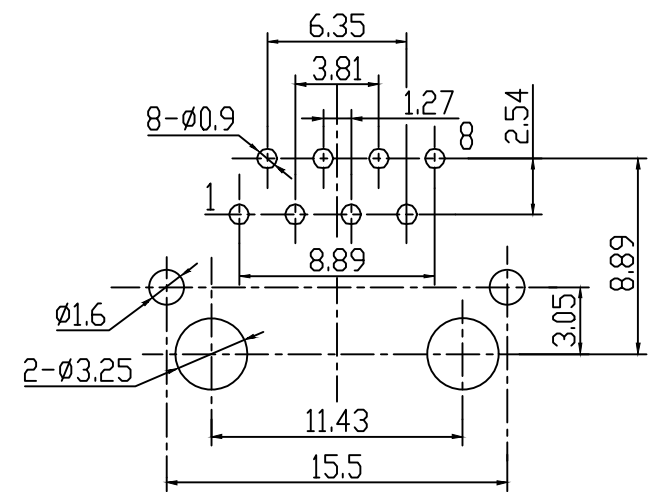
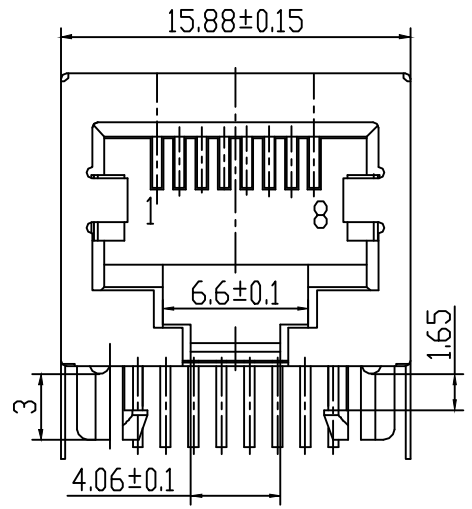
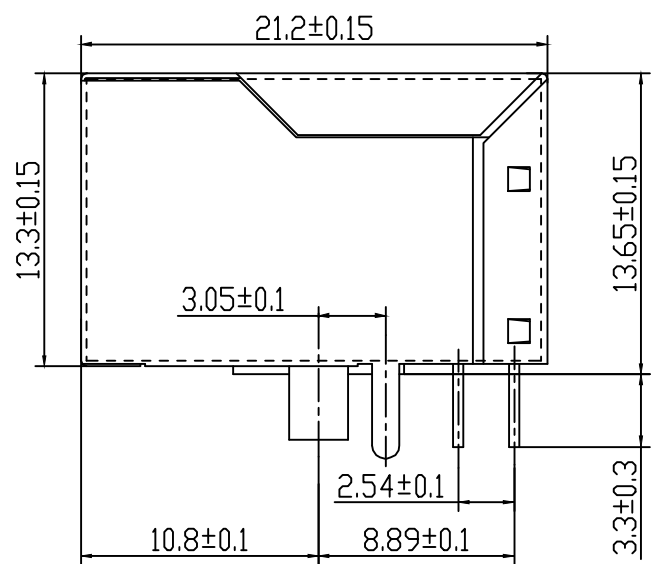


RoHS

REV	DESCRIPTION	DATE



NOTE:
 1. ELECTRICAL:
 1.1 VOLTAGE RATING: 125 VAC RMS;
 1.2 CURRENT RATING: 1.5 AMP;
 1.3 CONTACT RESISTANCE: 20 MILLIOHMS Max;
 1.4 INSULATION RESISTANCE: 1000 MEGOHMS Min @500 VDC;
 1.5 DIELECTRIC STRENGTH: 1000 VAC RMS 50 or 60Hz 1 Minute;
 2. MECHANICAL:
 2.1 HOUSING: PBT, UL94V-0, BLACK;
 2.2 INSERT: PBT, UL94V-0, BLACK;
 2.3 TERMINALS: DIA 0.46 PHOSPHOR BRONZE PLATED 3u" Au;
 2.4 SHIELD: H65Y
 2.5 DURABILITY: 750 CYCLES Min.



PCB LAYOUT

CNT 肯耐特电子有限公司				GENERAL TOLERANCE		DRAWN 董道丽	DATE 20191112	DWG. NO.	TITLE
				X.° ±5°	X. ±0.30	CHECK 王芳芳	DATE 20191112		
REV. 1.0	UNIT mm	SCALE 1:1		.X° ±3°	.X ±0.38	APPROVE 王元中	DATE 20191112	PART. NO.	5921-S 8P8C 1PORT-05
				.XX° ±2°	.XX ±0.25			CNT-5921-8P8C-S	
				.XXX° ±1°	.XXX ±0.15				