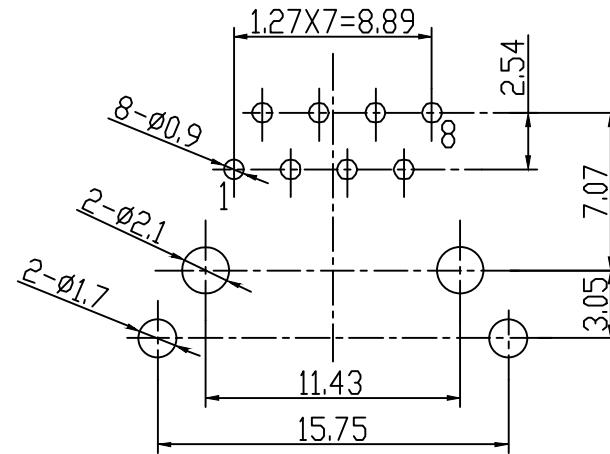
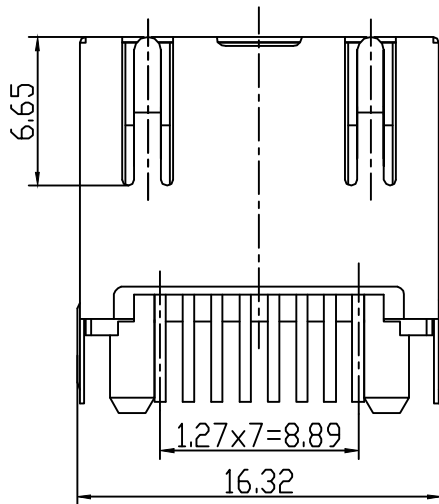
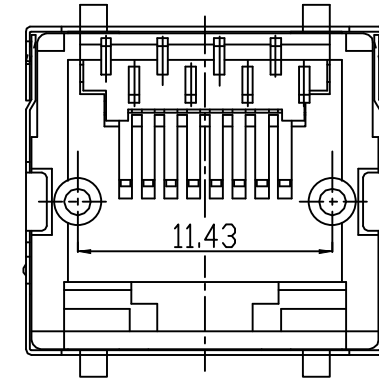
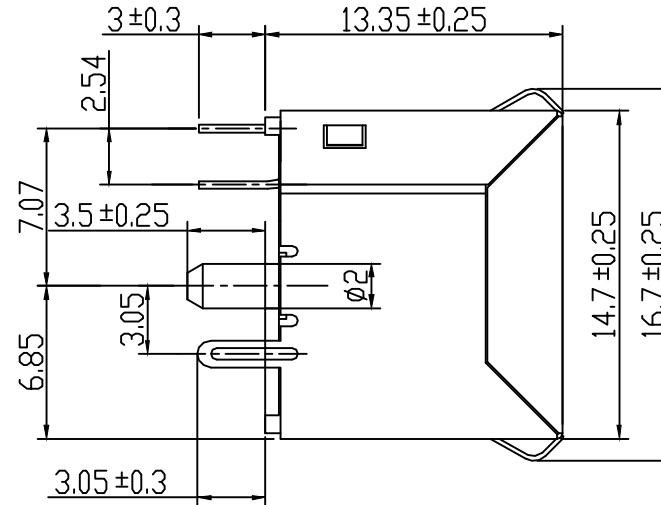
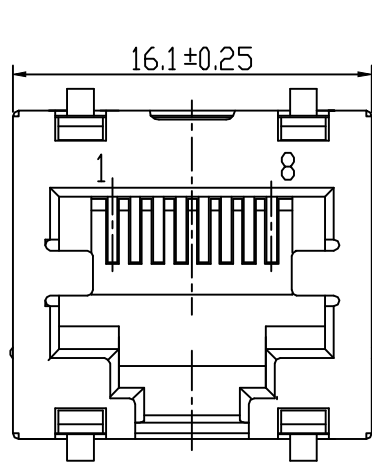


RoHS

REV	DESCRIPTION	DATE



PCB LAYOUT

NOTES:

1. ELECTRICAL:

- 1.1 VOLTAGE RATING: 125 VAC RMS;
- 1.2 CURRENT RATING: 1.5 AMP;
- 1.3 CONTACT RESISTANCE: 20 MILLIOHMS Max;
- 1.4 INSULATION RESISTANCE: 1000 MEGOHMS Min @500 VDC;
- 1.5 DIELECTRIC STRENGTH: 1000 VAC RMS 50 or 60Hz 1 Minute;

2. MECHANICAL:

- 2.1 HOUSING: PA66+30%GF, UL94V-0, BLACK;
- 2.2 INSERT: PA66+30%GF, UL94V-0, BLACK;
- 2.3 TERMINALS: T0.36*W0.46 PHOSPHOR BRONZE PLATED 3u" Au;
- 2.4 SHIELD: H65Y;
- 2.5 DURABILITY: 750 CYCLES Min.

CNT 肯耐特电子有限公司

GENERAL TOLERANCE

X. °	±5°	X.	±0.30
.X °	±3°	.X	±0.38
.XX °	±2°	.XX	±0.25
.XXX °	±1°	.XXX	±0.15

DRAWN

董道丽

DATE

20191112

DWG. NO.

CHECK

王芳芳

DATE

20191112

PART. NO.

APPROVE

王元中

DATE

20191112

CNT-5224-8P8C-S

TITLE

5224-S 8P8C (JA05-081)

REV.
1.0

UNIT
mm

SCALE
1:1

