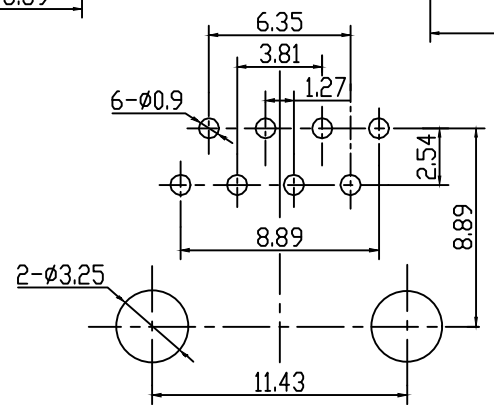
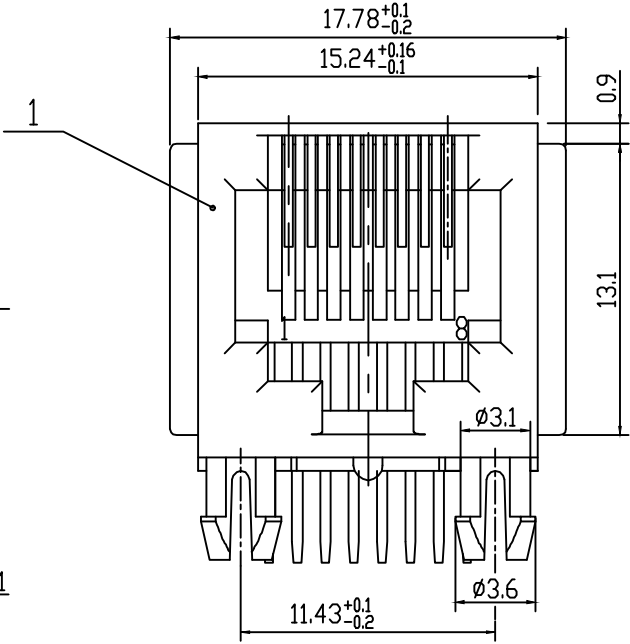
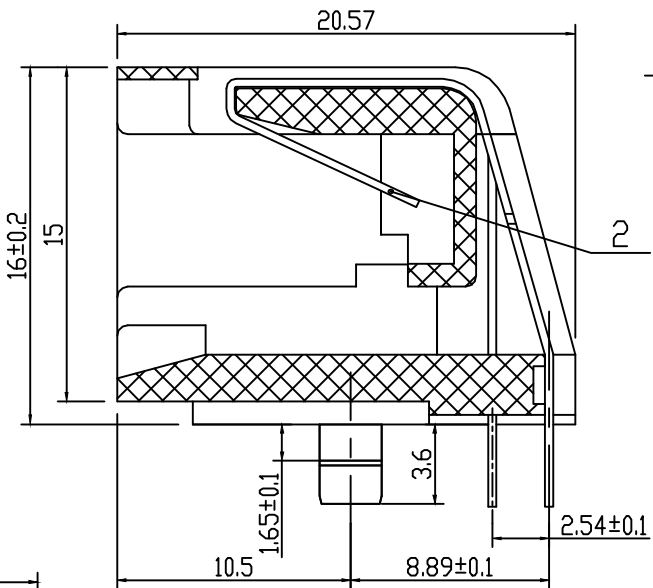
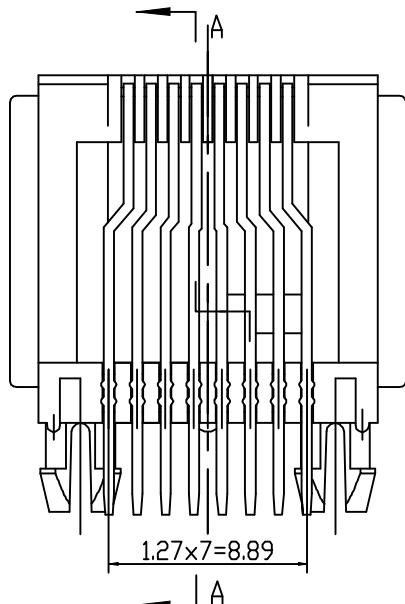


REV	DESCRIPTION	DATE



PCB LAYOUT

NOTE:  
 1. ELECTRICAL:  
 1.1 VOLTAGE RATING: 125 VAC RMS;  
 1.2 CURRENT RATING: 1.5 AMP;  
 1.3 CONTACT RESISTANCE: 20 MILLIOHMS Max;  
 1.4 INSULATION RESISTANCE: 1000 MEGOHMS Min @500 VDC;  
 1.5 DIELECTRIC STRENGTH: 1000 VAC RMS 50 or 60Hz 1 Minute;  
 2. MECHANICAL:  
 2.1 HOUSING: PBT, UL94V-0, BLACK;  
 2.2 TERMINALS: T0.36xW0.46 PHOSPHOR BRONZE PLATED 3u' Au;  
 2.3 DURABILITY: 750 CYCLES Min.

<p><b>CNT</b> 肯耐特电子有限公司</p>			GENERAL TOLERANCE		DRAWN 董道丽	DATE 20191112	DWG. NO.	TITLE
			X.° ±5°	X. ±0.30	CHECK 王芳芳	DATE 20191112		
REV. 1.0	UNIT mm	SCALE 1:1	.X° ±3°	.X ±0.38	APPROVE 王元中	DATE 20191112	PART. NO.	5721 8P
			.XX° ±2°	.XX ±0.25			CNT-5721-8P8C-E	
			.XXX° ±1°	.XXX ±0.15				