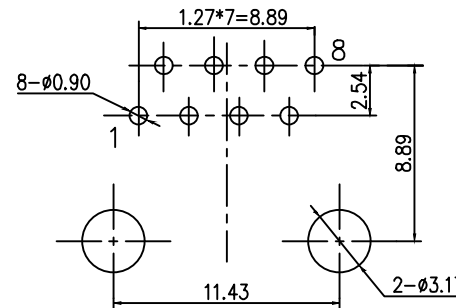
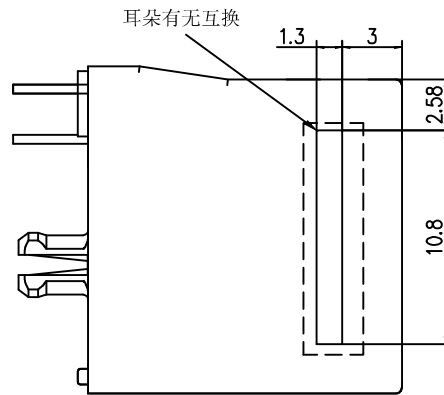
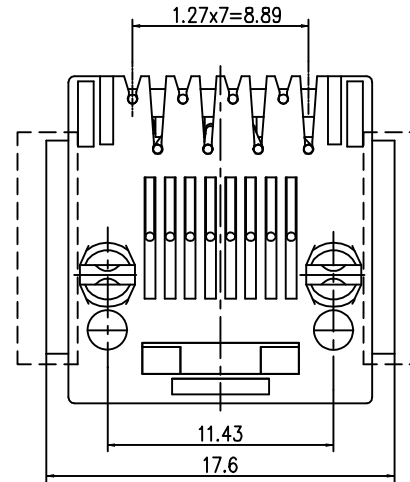
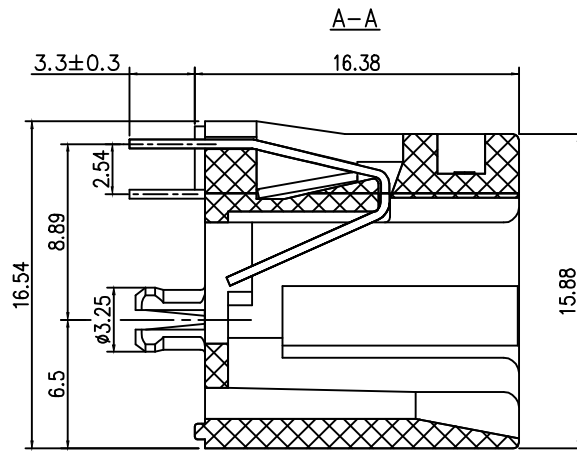
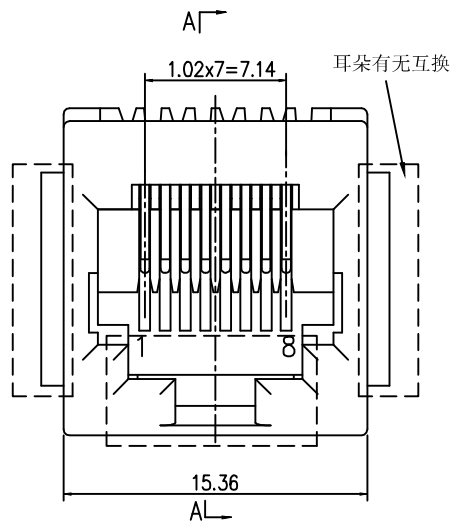


REV	DESCRIPTION	DATE



PC BOARD LAYOUT
THICKNESS=1.6MM

电气性能

1. 额定电压: 150 VAC RMS
2. 额定电流: 1.5 AMPS@25°C
3. 接触电阻: 20 mΩ MAX
4. 绝缘电阻: 1000 MΩ Min @500 VDC
5. 耐压强度: 端子之间: 1000V DC OR AC 峰值 @ 0.5mA 50Hz或60Hz 1分钟.

机构特性:

1. 塑壳材质: PBT, UL94V-0;
2. 圆针材质: 磷青铜, Ø0.46mm;
3. 圆针电镀: 镍底, 表面全部镀金;
6. 插入/拔出力: 20N Max;
5. 配合强度: 50N for 60s±5s.
6. 使用寿命: 最少750次插拔

环境性能:

1. 储存温度: -40° C ~ +85° C, 相对湿度<80%
2. 工作温度: -40° C ~ +85° C
3. 储存时间: 12个月

NOTES:

ELECTRICAL:

1. VOLTAGE RATING :150 VAC RMS.
2. CURRENT RATING :1.5 AMP.
3. CONTACT RESISTANCE :20 mΩ MAX
4. INSULATION RESISTANCE :1000 MΩ MIN @ 500 VDC.
5. WITHSTAND VOLTAGE :1000V DC OR AC PEAK ;ONE CONTACT TO ALL OTHER CONTACTS CONNECTED TOGETHER @0.5mA 50Hz or 60Hz a minnte.

MECHANICAL:

1. HOUSING MATERIAL :PBT UL94V-0.
2. CONTACT MATERIAL :PHOSPHOR BRONZE Ø0.46mm.
3. CONTACT PLATING :GOLD PLATING OVER NICKEL.
4. MATING/UNMATING FORCE :20N MAX.
5. RETENTION STRENGTH :50N for 60s±5s.
6. DURABILITY :750 CYCLES MIN.

ENVIRONMENTAL:

1. STORAGE TEMPERATURE :-40°C~+85°C RELATIVE HUMIDITY<80%
 2. OPERATION TEMPERATURE :-40°C~+85°C.
 3. GUARANTEE PERIOD :12 MONTHS
- MATES WITH MODULAR PLUG CONFORMING TO IEC-60603 & TIA-1096 ROHS
PART NUMBER:

5222 8P 带耳 有网 香菇脚

<p>CNT 肯耐特电子有限公司</p>				GENERAL TOLERANCE	DRAWN 董道丽	DATE 20191112	DWG. NO.	TITLE
				X.° ±5°	X. ±0.30	CHECK 王芳芳	DATE 20191112	
REV. 1.0	UNIT mm	SCALE 1:1		.X° ±3°	.X ±0.38	APPROVE 王元中	DATE 20191112	RJ45 1*1 5222 8P WITH EAR WITH SPLITPEG CNT-5222-8P8C-E
				.XX° ±2°	.XX ±0.25			
				.XXX° ±1°	.XXX ±0.15			