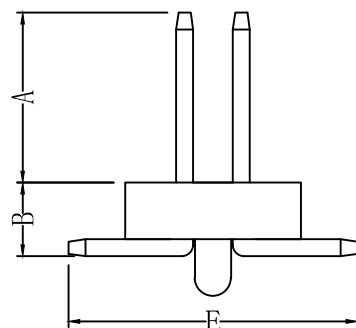
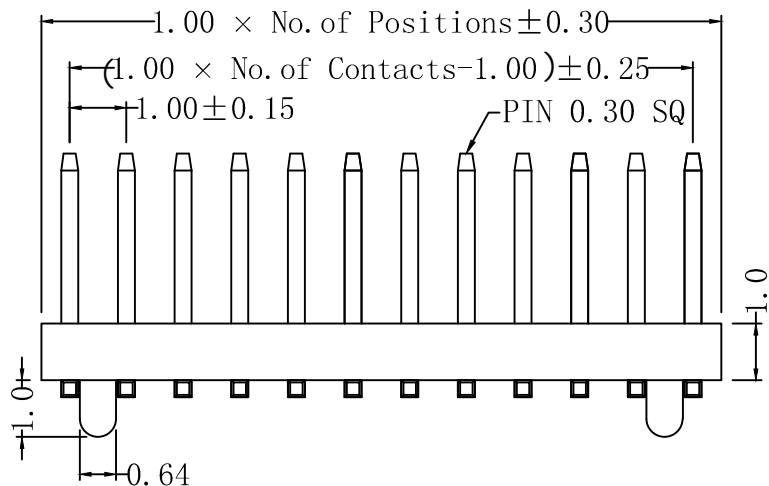
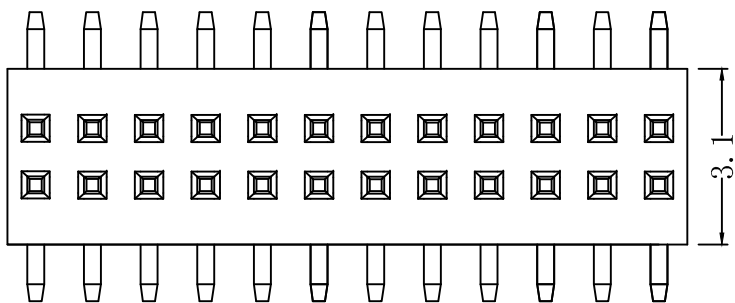


REV	DESCRIPTION	DATE



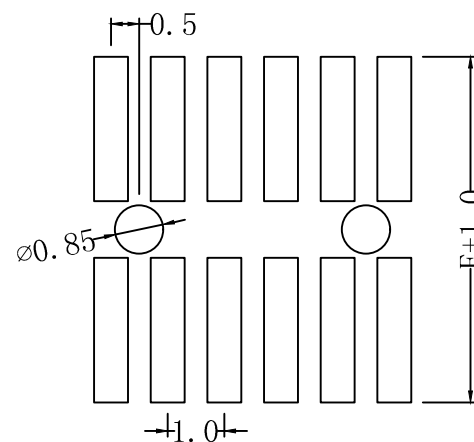
### SPECIFICATIONS

Current Rating: 1.0 Amps  
 Insulator resistance: 1000 mΩ Min.  
 Dielectric withstanding: AC 300 V  
 Contact Resistance: 20 mΩ Max  
 Operating Temperature: -40° C - +105° C

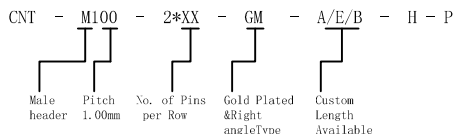
### MATERIALS

Contact Material: Copper Alloy  
 Insulator Material: High Temperature Thermoplastic, UL 94V-0 LCP  
 Finish: Gold Plated over nickel  
 All materials must meet RoHS requirements

### Recommended P. C. Board Hole Layout



### Ordering Information



A	E
B	F
H	1.0
W	

<h1>CNT</h1> 肯耐特电子有限公司			GENERAL TOLERANCE		DRAWN	DATE	DWG. NO.	TITLE
			X.° ±5°	X. ±0.30	董道丽	20190321		
REV.	UNIT	SCALE	.X° ±3°	.X ±0.38	CHECK	DATE	PART. NO.	
1.0	mm	1:1	.XX° ±2°	.XX ±0.25	王芳芳	20190321	CNT-M100-2*xx-GM-A/E/B	
			.XXX° ±1°	.XXX ±0.15	王元中	20190321		

1.0 Pin Header  
 Dual Row SMT Type