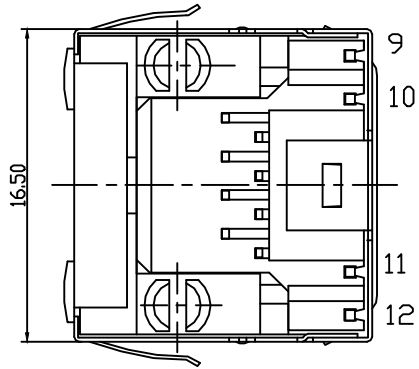


REV	DESCRIPTION	DATE



电气性能

1. 额定电压: 125 VAC RMS
2. 额定电流: 1.5 AMPS@25°C
3. 接触电阻: 45 mΩ MAX
4. 绝缘电阻: 1000 MΩ Min @500 VDC
5. 耐压强度: 1000 VAC RMS, 60Hz 1分钟.

机构特性:

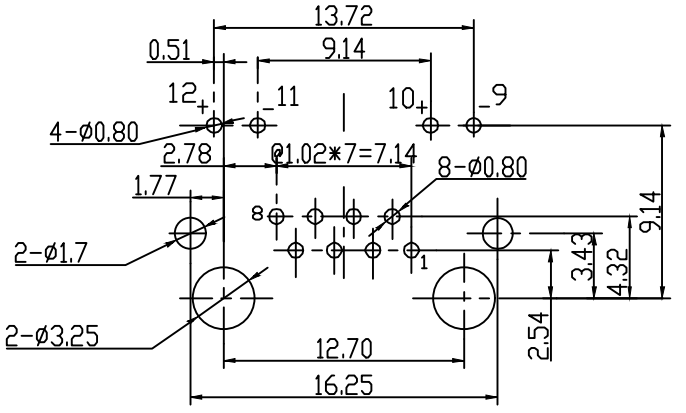
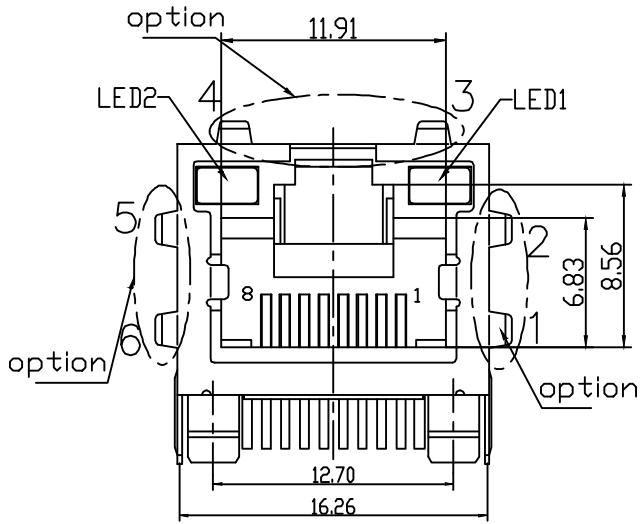
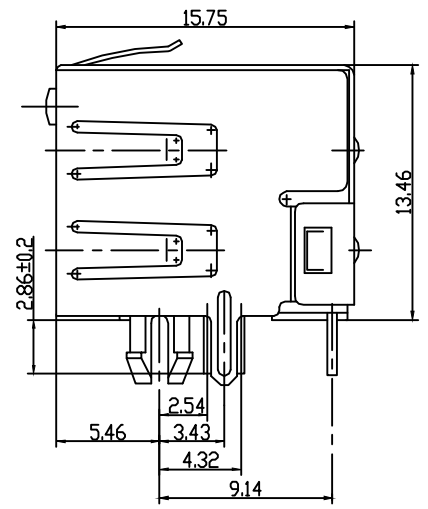
1. 塑壳材质: PBT或PA46或PA66 UL94V-0;
2. 扁针材质: 磷青铜, 厚度0.35mm;
3. 扁针电镀: 接触区镀金 (见料号表格)
镍底, 剥头电镀雾锡;
6. 插入/拔出力: 22N/2.27kg Max;
5. 配合强度: 57.83N Min.
6. 可靠性: 最少750次插拔
7. 铁壳材质: 黄铜, 厚度0.20mm, 镀镍;

环境性能:

1. 储存温度: -10°C ~ +40°C, 相对湿度<80%
2. 工作温度: -40°C ~ +85°C

NOTES:

- ELECTRICAL:**
1. VOLTAGE RATING :125 VAC RMS.
 2. CURRENT RATING :1.5 AMP.
 3. CONTACT RESISTANCE :45 mΩ MAX
 4. INSULATION RESISTANCE :1000 MΩ MIN @ 500 VDC.
 5. WITHSTAND VOLTAGE :1000 VAC RMS, 60Hz, 1MIN.
- MECHANICAL:**
1. HOUSING MATERIAL :PBT /PA66/PA46 UL94V-0.
 2. CONTACT MATERIAL :PHOSPHOR BRONZE T=0.35mm.
 3. PLATING :1:CONTACT AREA-SELECTIVE GOLD PLATING
2:TAILS PLATING TIN OVER NICKEL.
 4. MATING/UNMATING FORCE :22N/2.27kg Max.
 5. RETENTION STRENGTH :57.83N Min.
 6. OPERATING LIFE :750 CYCLES MIN
 7. SHIELD :BRASS T=0.2mm PLATED NICKEL FOR ALL.
- ENVIRONMENTAL:**
1. STORAGE :-10°C~+40°C RELATIVE HUMIDITY<80%
 2. OPERATION :-40°C~+85°C.
- MATES WITH MODULAR PLUG CONFORMING TO FCC PART 68, SUBPART F.
ROHS PART NUMBER:



PC BOARD LAYOUT
THICKNESS=1.6mm

<p>CNT 肯耐特电子有限公司</p>				GENERAL	TOLERANCE	DRAWN	DATE	DWG. NO.	TITLE
				.X°	±5°	.X	±0.30	董道丽	
REV.	UNIT	SCALE	APPROVE		DATE	CNT-56-31-01-S-LED		RJ45 1*1 56LED-S 8P PCB JACK	
1.0	mm	1:1	.X°	±3°	.X	±0.38	王芳芳	20191112	
			.XX°	±2°	.XX	±0.25	王元中	20191112	
			.XXX°	±1°	.XXX	±0.15			