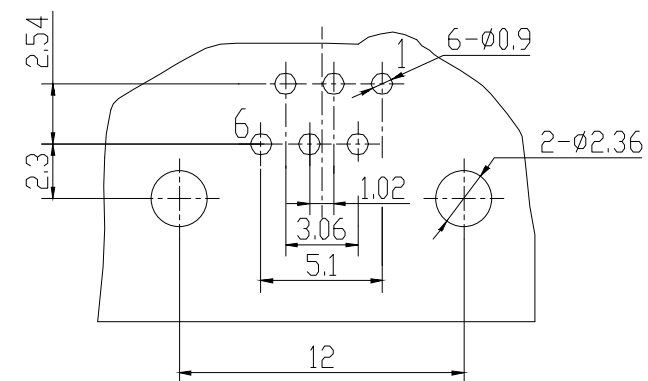
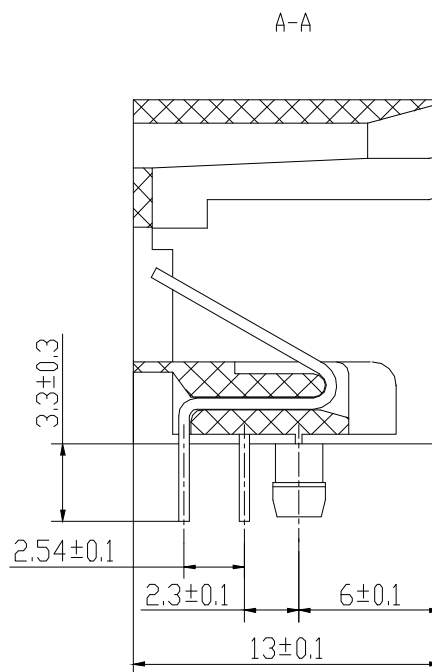
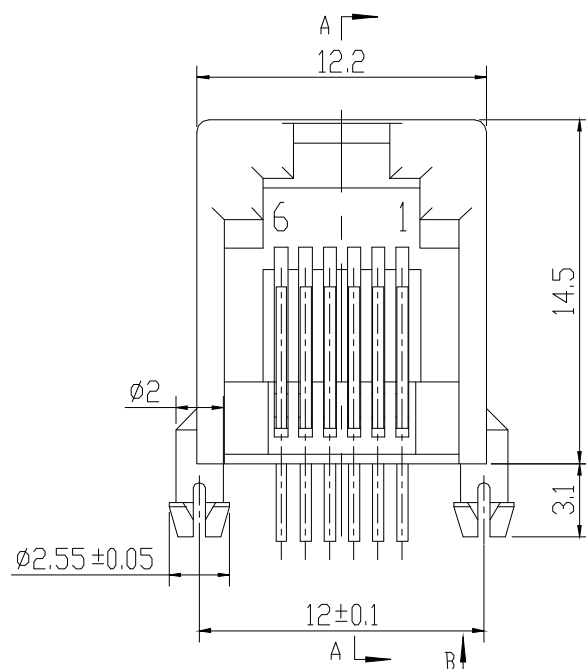


REV	DESCRIPTION	DATE



PCB LAYOUT

NOTE:

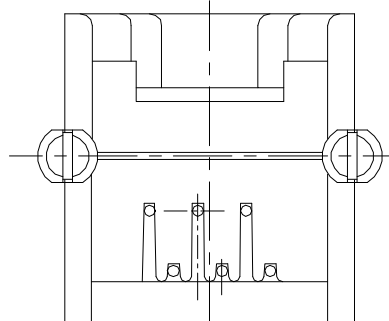
1. ELECTRICAL:

- 1.1 VOLTAGE RATING: 125 VAC RMS;
- 1.2 CURRENT RATING: 1.5 AMP;
- 1.3 CONTACT RESISTANCE: 20 MILLIOHMS Max;
- 1.4 INSULATION RESISTANCE: 1000 MEGOHMS Min @500 VDC;
- 1.5 DIELECTRIC STRENGTH: 1000 VAC RMS 50 or 60Hz 1 Minute;

2. MECHANICAL:

- 2.1 HOUSING: PBT, UL94V-0, GRAY;
- 2.2 TERMINALS: DIA 0.46 PHOSPHOR BRONZE PLATED 3u" Au;
- 2.3 DURABILITY: 750 CYCLES Min.

B 向



CNT 肯耐特电子有限公司

REV. 1.0	UNIT mm	SCALE 1:1	
-------------	------------	--------------	--

GENERAL TOLERANCE	
X.° ±5°	X. ±0.30
.X° ±3°	.X ±0.38
.XX° ±2°	.XX ±0.25
.XXX° ±1°	.XXX ±0.15

DRAWN 董道丽	DATE 20190702
CHECK 王芳芳	DATE 20190702
APPROVE 王元中	DATE 20190702

DWG. NO.	PART. NO. CNT-5523-6P6C
TITLE	

TITLE	RJ11 6P6C
-------	-----------