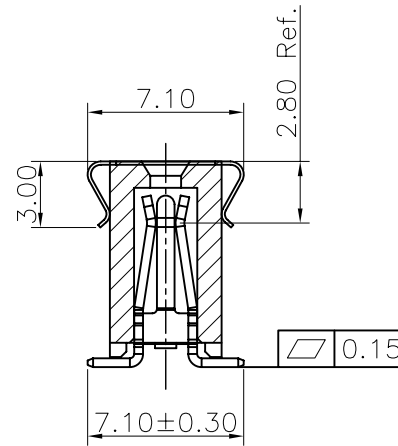
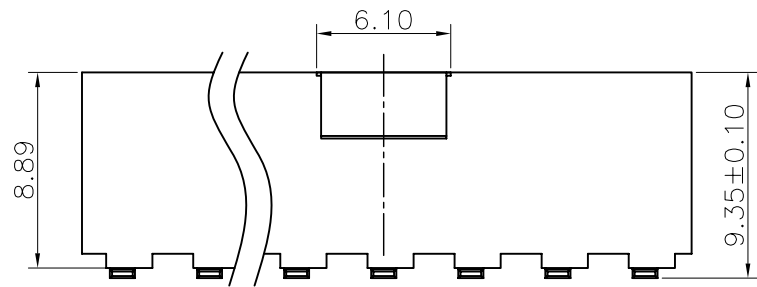
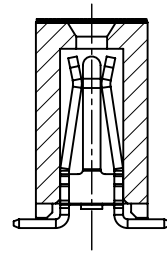
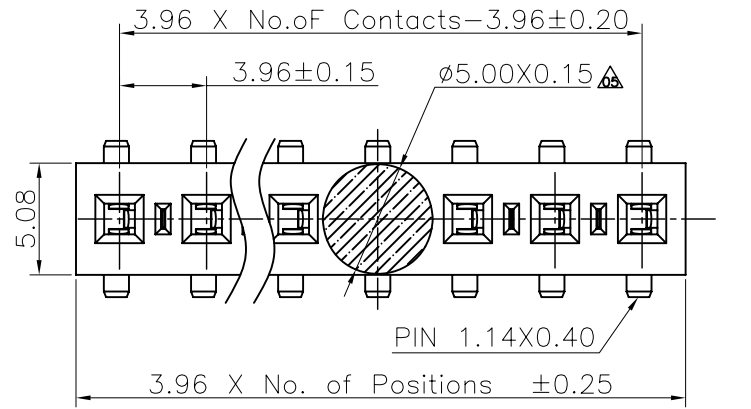
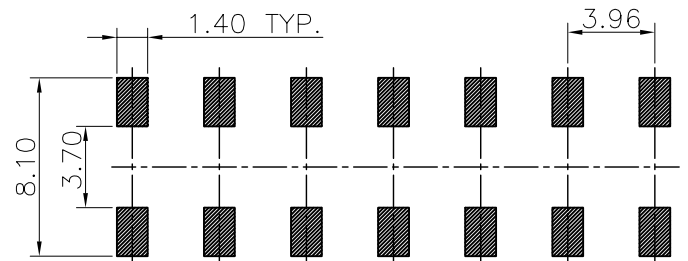


REV.	LOCAS.	DESCRIPTION	DATE	DRAWN
01	NEW	INITIAL RELEASE.	2007.09.26	許承佑
02	△1	增加醋酸膠布配方	2007.11.01	許承佑
03	△3	變更料號	2009.04.09	車 激
04	△4	變更新圖號，修改注解并新增包裝選項	2011.09.23	李劍峰
05	△5	為改善貼膠紙效率，變更膠紙配方	2013.01.28	吳才仙



Specifications  
 Current Rating:7.9Amp  
 Insulation Resistance:1000MΩMin.  
 Dielectric Withstanding Voltage:1000VAC  
 Contact Resistance:20mΩMax.  
 Operating Temperature:-40°C to +105°C  
 Materials  
 Contact Material:Phosphor Bronze  
 △4 Insulator Material:High Temperature Thermoplastic, UL 94V-0 LCP or the equivalent material  
 All materials must meet Greenconn requirement for environment protection.

Recommended P.C.Board Layout  
 (Tolerance:±0.05)



CNT 肯耐特电子有限公司

GENERAL TOLERANCE	
X.*±5.0°	X.±0.30
.X*±3.0°	.X±0.25
.XX*±2.0°	.XX±0.15
.XXX*±1.0°	.XXX±0.10

吳才仙  
 2013.01.28  
 黃龍福  
 2013.01.28  
 李 輝  
 2013.01.28  
 cc\_li  
 2013.01.28

DWG. NO. △3 △4  
 PART NO. △3  
 CNT-F396-1\*XX-GM-889/7.1

TITLE.  
 PH3.96 母座 单排 SMT 无柱

REV.	UNIT.	SCALE.	PAGE.
05	mm	3:1	1/1