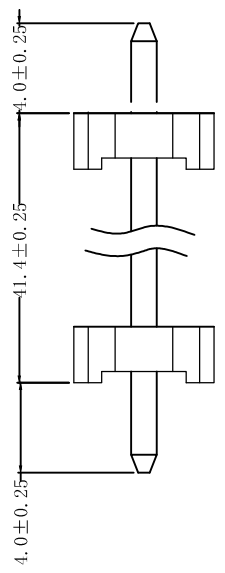
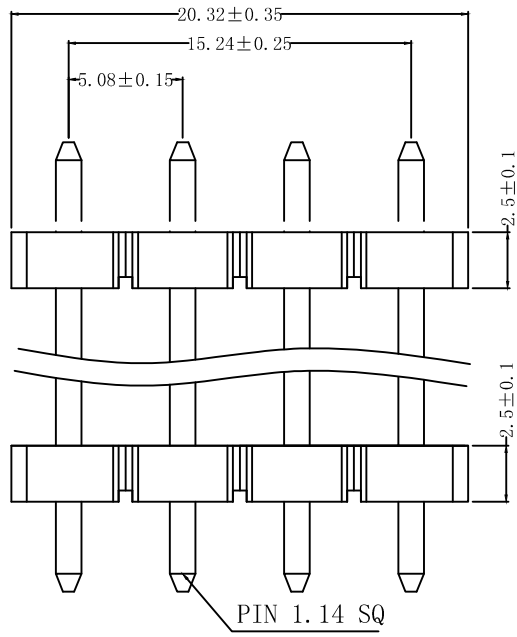
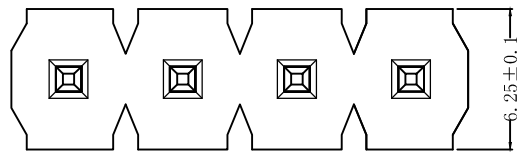
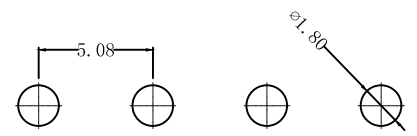


REV	DESCRIPTION	DATE

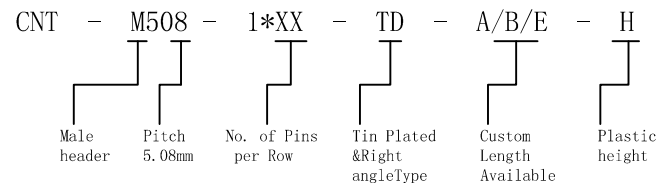


Specifications  
 Current Rating: 7.9Amp  
 Insulation Resistance: 1000MΩ Min.  
 Dielectric Withstanding Voltage: 1000VAC  
 Contact Resistance: 30mΩ Max.  
 Operating Temperature: -40° C to +105° C  
 Materials  
 Contact Material: Brass  
 Insulator Material: High Temperature Thermoplastic, UL 94V-0 LCP or the equivalent material

Recommended P.C. Board Hole Layout



Ordering Information



A	4.0	E	41.4
B	4.0	F	
H		W	

<p><b>CNT</b> 肯耐特电子有限公司</p>			GENERAL TOLERANCE	DRAWN 董道丽	DATE 20201123	DWG. NO.	TITLE
			X.° ±5° X. ±0.30	CHECK 王芳芳	DATE 20201123	20201123008	
REV. 1.0	UNIT mm	SCALE 1:1	.X° ±3° .X ±0.25	APPROVE 王元中	DATE 20201123	PART. NO. CNT-M508-1*4-TS-4/41.4/4	5.08 PITCH POWER MALE DIP TYPE CONNECTOR
			.XX° ±2° .XX ±0.15				
			.XXX° ±1° .XXX ±0.10				