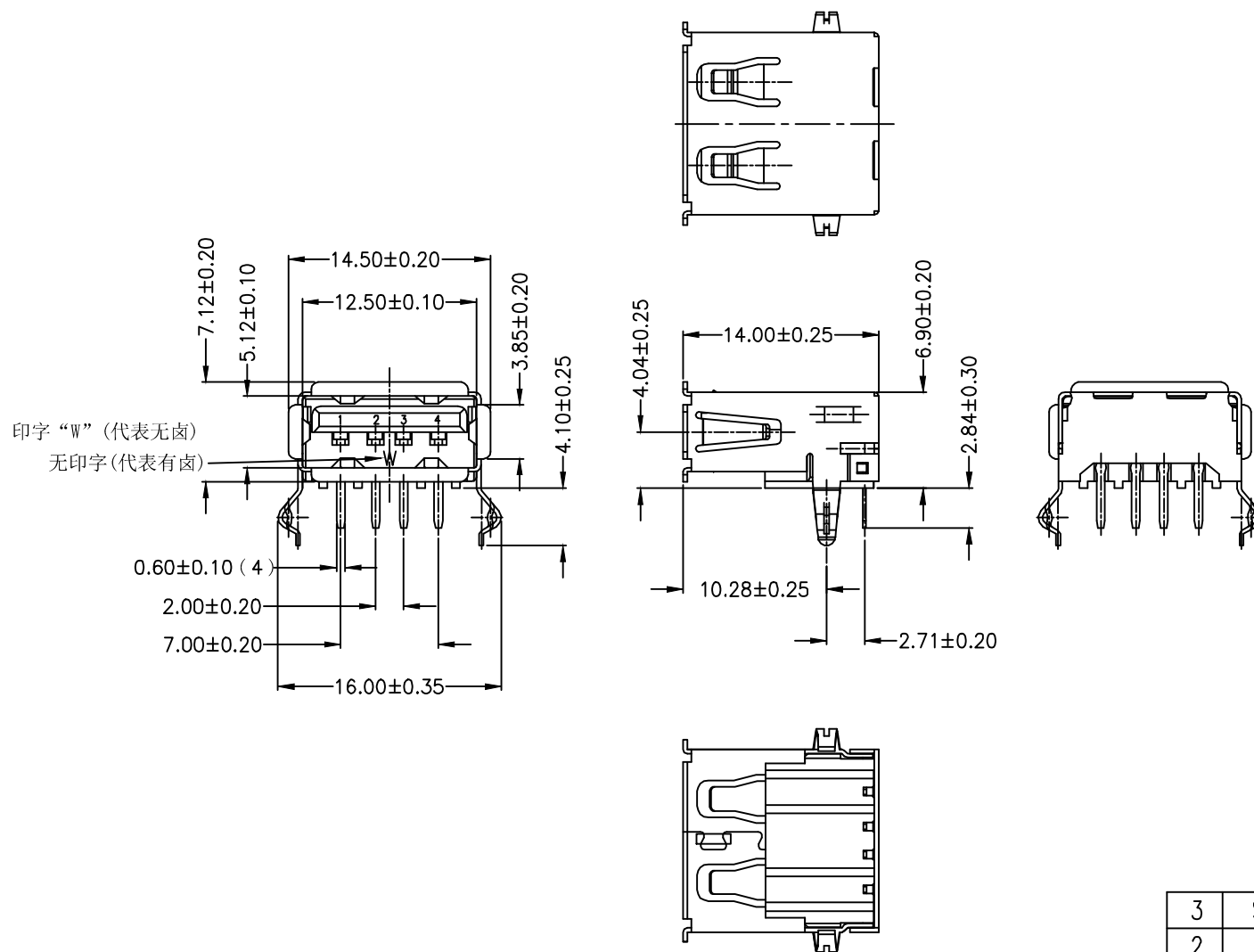
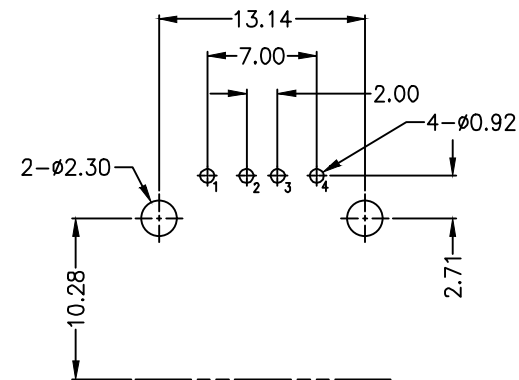


REV	DESCRIPTION	DATE



Specification

- 1.Current Rating:1.5AMP at 250V AC  
Voltage Rating:30V
- 2.Insulation Resistance:1000MΩ Min
- 3.Contact Resistance:30mΩ Max
- 4.Dielectric Withstanding Voltage:500V AC
- 5.Temperature Range:-20°C to +60°C
- 6.Mechanical Characteristics:  
Insertion Force:35 Newtons maximum  
Extraction Force:10 Newtons minimum



3	Shell	C2680H	1	T=0.30 Plating nickel/Tin
2	Housing	P.B.T	1	UL94V-0 Nature/Black/White
1	Contact	C2680EH	4	T=0.25 Plating Gold
NO.	VARIETY	MATERIAL	QT,Y	REMARK

REV. 1.0	UNIT mm	SCALE 1:1		GENERAL TOLERANCE	DRAWN	DATE
				X.° ±5° X. ±0.30	董道丽	20191112
				.X° ±3° .X ±0.38	CHECK	DATE
				王芳芳	20191112	
.XX° ±2° .XX ±0.25	APPROVE	DATE				
.XXX° ±1° .XXX ±0.15	王元中	20191112				

DWG. NO.	TITLE
PART. NO.	USB A TYPE (FEMALE) DIP 90° L=14.00
CNT-USB-AF-TD-1400	

CNT 肯耐特电子有限公司