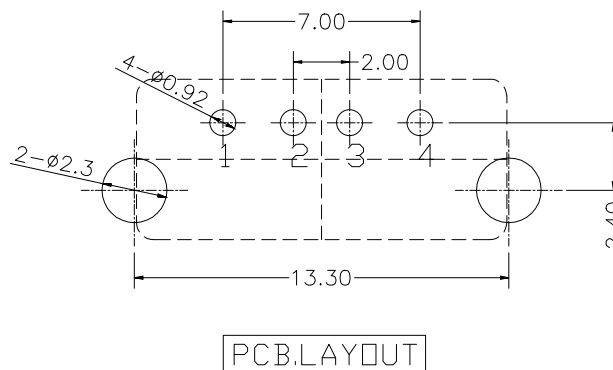
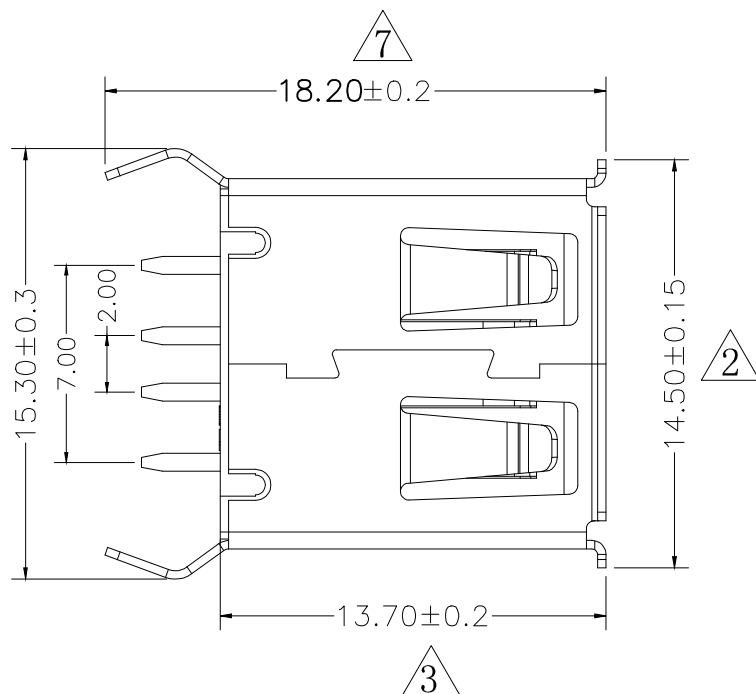
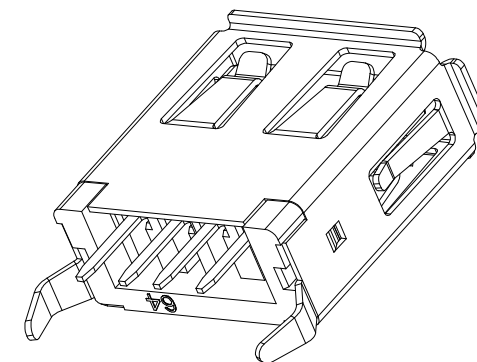
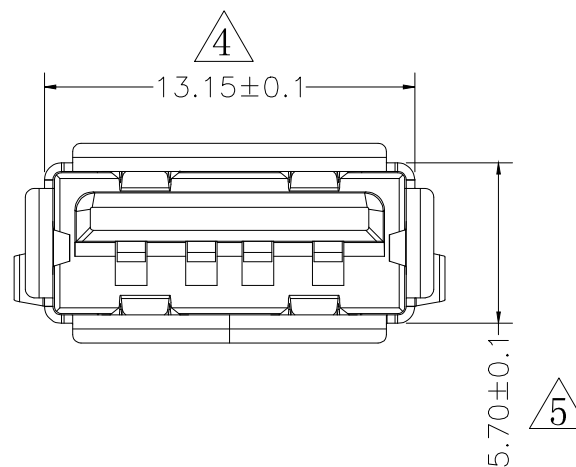
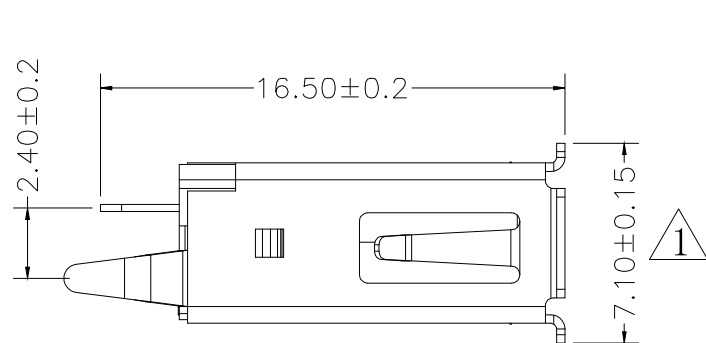


RoHS

REV	DESCRIPTION	DATE



特性: Specifications:

电气: Electrical:

接触阻抗: Contact Resistance 30 milliohms MAX

耐电压: Dielectric Withstanding Voltage:
500 V AC Sea Level

绝缘阻抗: Insulation Resistance:
1000 MEGA ohms MIN

材料: Material

- 1. 塑料: PBT UL 94V-0
- 2. 端子: Contact Copper Alloy C2680H
- 3. 铜壳/铁壳: Shell: Copper Alloy

电镀: Finish

- 1. 端子: Contact: Plated Gold in Mating Area
Tin On Solder Talls
接触点镀金。脚镀锡
- 2. 铜壳/铁壳: Shell Nickel plating 镀镍

CNT 肯耐特电子有限公司

REV. 1.0	UNIT mm	SCALE 1:1	
-------------	------------	--------------	--

GENERAL TOLERANCE	
X.° ±5°	X. ±0.30
.X° ±3°	.X ±0.38
.XX° ±2°	.XX ±0.25
.XXX° ±1°	.XXX ±0.15

DRAWN 董道丽	DATE 20191112
CHECK 王芳芳	DATE 20191112
APPROVE 王元中	DATE 20191112

DWG. NO.	PART. NO.
CNT-USB-AF-TS-1370	

TITLE
USB AF 180 直插(短体13.7)