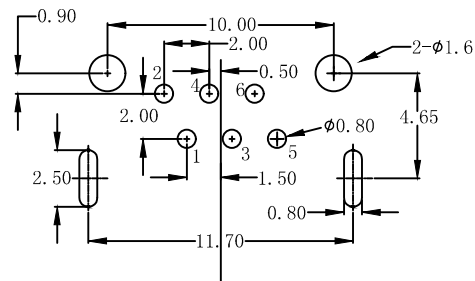
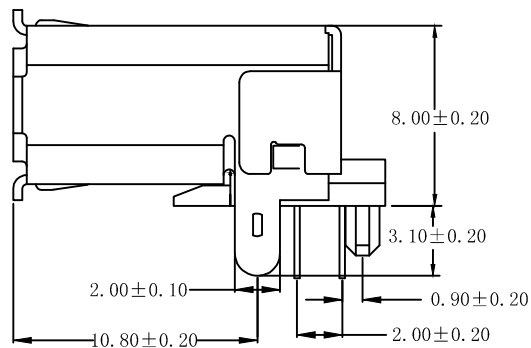
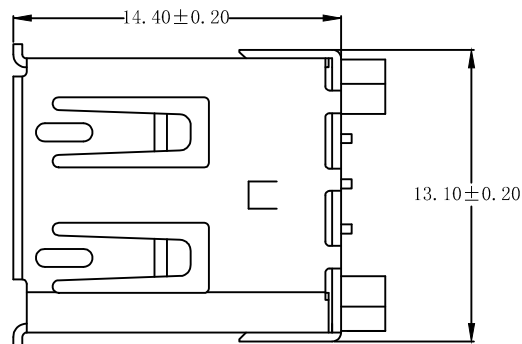
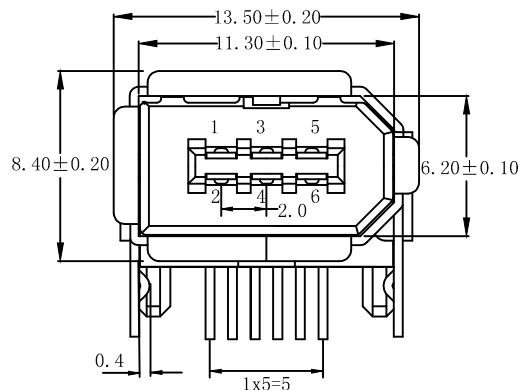
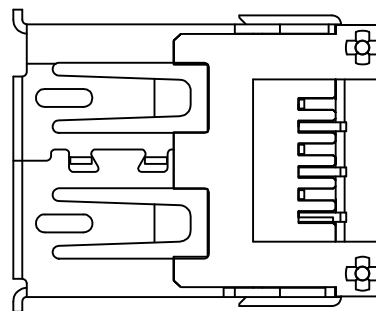


REV	DESCRIPTION	DATE



PCB LAYOUT



规格说明: SPECIFICATIONS

电气特性:Electrical:

1. 额定电流: Current Rating  
1.0A /contact terminal
2. 额定电压:Voltage Rating  
30V DC
3. 接触阻抗:Contact Resistance  
50 milliohms MAX
4. 耐电压:Dielectnic Withstanding Voitage:  
300 V AC AT Sea Level
5. 绝缘阻抗:Insulation Resistance:  
100MEGA ohms MIN

物理性能: Mechanical:

1. 插拔力: Cnncetor Mate and Unmate Force  
Mate force:3.0kgf (MAX)  
Unmate force:0.7kgf (MIN)
2. 端子保持力: Terminal Retenion  
0.5kgf (MIN)

原材料: Matorial:

1. 塑胶: Housing:  
Hing Temperature Tnermaplastice,  
UL94V-0 LCP black
2. 端子: Contact:Copper Alloy C2680
3. 外壳: Shell: Copper Alloy C2680

电镀: Finish:

1. 端子: Contact:Plated Gold in Mating Area:  
Tin On Solder Talls
2. 外壳: Shell:  
Nickel Plating

<h1>CNT</h1> 肯耐特电子有限公司			GENERAL TOLERANCE		DRAWN 董道丽	DATE 20191112	DWG. NO.	TITLE
			X.° ±5°	X. ±0.30	CHECK 王芳芳	DATE 20191112	PART. NO.	
REV. 1.0	UNIT mm	SCALE 1:1	.X° ±3°	.X ±0.38	APPROVE 王元中	DATE 20191112	CNT-1394-6P-TD	IEEE 1394 6P/F DIP
			.XX° ±2°	.XX ±0.25				
			.XXX° ±1°	.XXX ±0.15				