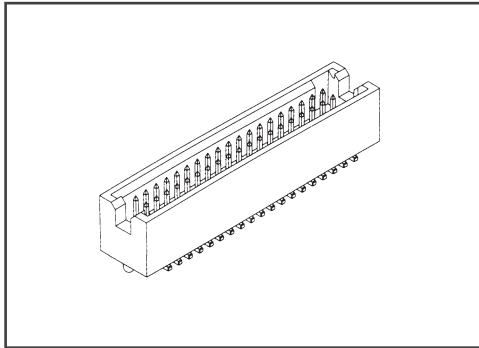


# Pitch:1.27mm (0.05")

## Box Header S.M.T Type With Post

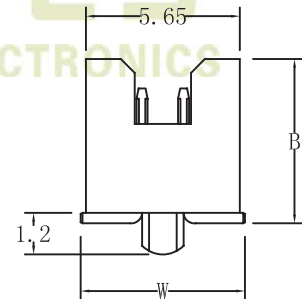
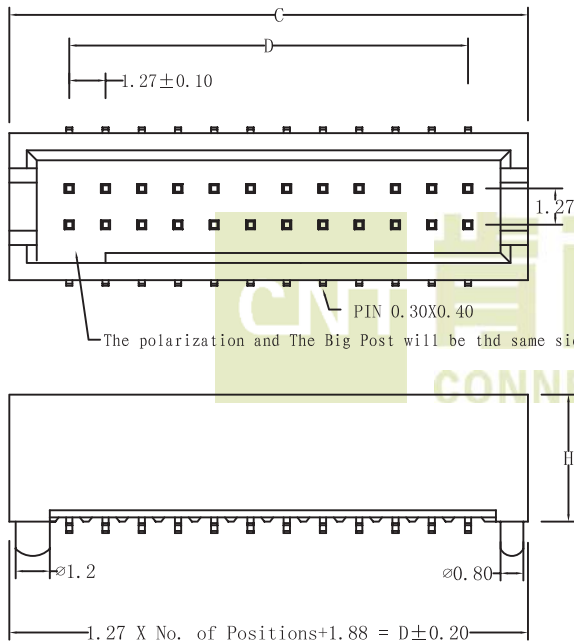


### SPECIFICATIONS

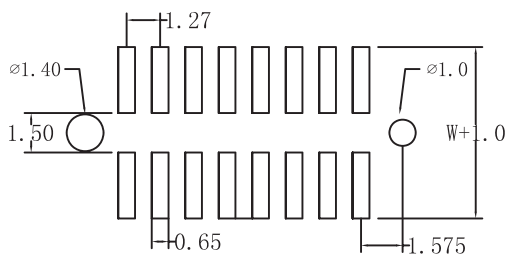
Current Rating:1.0 Amps  
 Insulator resistance:1000 Megohms Min.  
 Dielectric withstanding:AC 300 V  
 Contact Resistance:20 Megohms Max  
 Operating Temperature:-40° C - +105° C

### MATERIALS

Contact Material:Copper Alloy  
 Insulator Material:Polyester UL 94V-0  
 Nylon-6T  
 Finish:Gold/Tin Plated



### Recommended P. C. Board Hole Layout



No. of Pins Per Row		05~60
Dimension		
C	1.27*No. of Contacts+3.20	±0.38
D	1.27*No. of Contacts-1.27	±0.25

### Ordering Information

**B** 127 2 \* XX G M B/W H P  
 B: Pitch: 2: No. of pins G: M: B/W: H: P:  
 Box 1.27mm Double Row per Row GoldPlated S M T Custom Length 5.70MM With Post  
 Tin Plated Available 7.30MM